

THIS DRAWING IS UNPUBLISHED.

RELEASED FOR PUBLICATION

2008

© COPYRIGHT 2008 BY -

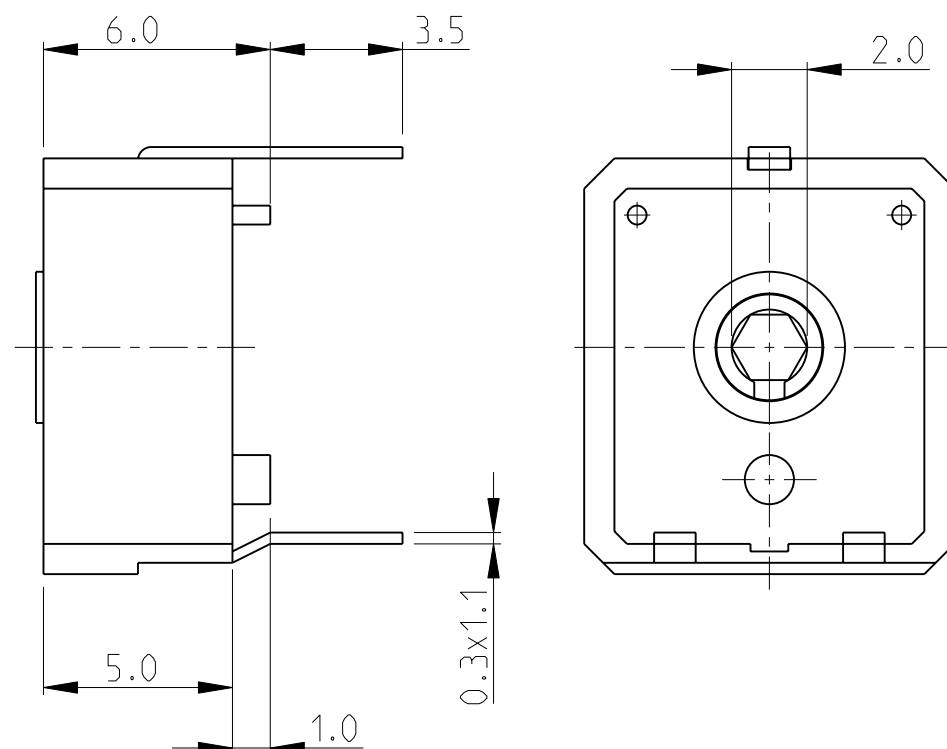
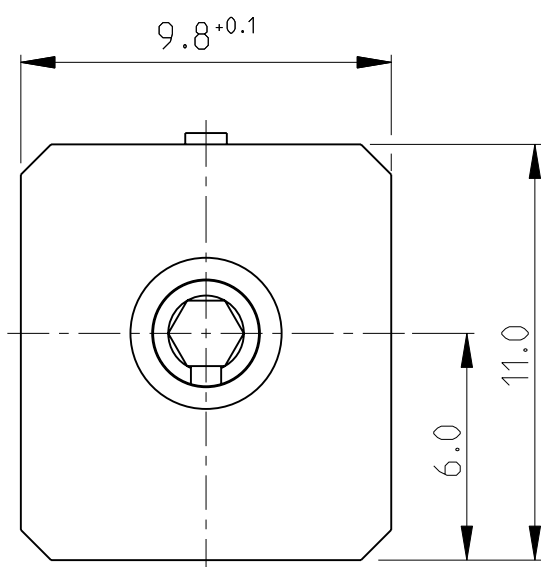
ALL RIGHTS RESERVED.

LOC E DIST B

REVISIONS

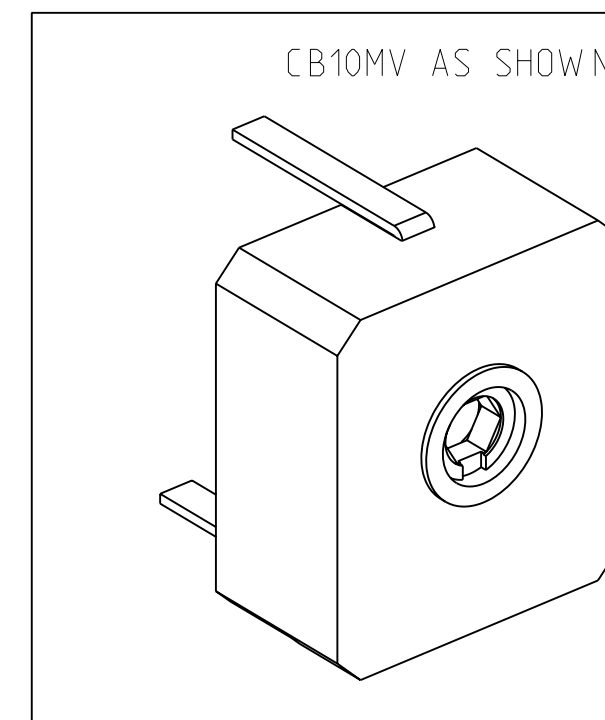
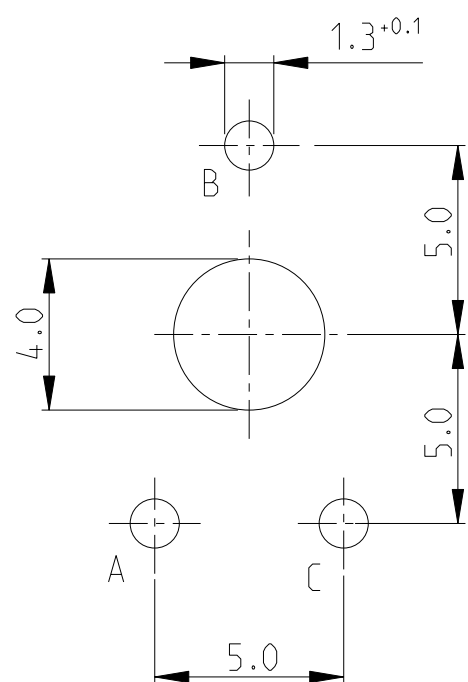
P	LTR	DESCRIPTION	DATE	DWN	APVD
	BA1	REVISED PER ECO-11-005150	29MAR2011	RK	HMR

CB10MV AS SHOWN




FOR FURTHER INFORMATION SEE DATA SHEET FOR CB10 SERIES-CARBON ECONOMY TRIMMERS

RECOMMENDED PCB PATTERN



RoHS Compliant

THIS DRAWING IS A CONTROLLED DOCUMENT.		DWN	SUBHASH.M	17-SEP-08	 TE Connectivity CARBON ECONOMY TRIMMERS SERIES CB10 MV	RESTRICTED TO		
DIMENSIONS: mm		CHK	PRAKASH.S	17-SEP-08		SIZE	CAGE CODE	DRAWING NO
TOLERANCES UNLESS OTHERWISE SPECIFIED:		APVD	STEPHEN.P	17-SEP-08		A3	00779	1630481
0 PLC ± 0.5 1 PLC ± 0.2 2 PLC ± 0.1 3 PLC ± - 4 PLC ± - ANGLES ± 5°		PRODUCT SPEC	-	SCALE		5:1	SHEET	1 OF 1
MATERIAL -		FINISH	-	WEIGHT	-	REV BA1		
CUSTOMER DRAWING								